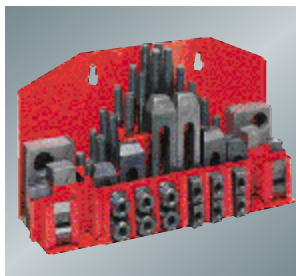


## ACCESSORIES MILLING / DRILLING CENTER



**Stock no. 50000105**  
ISO30-ER-32 collet holder  
(JMD-45PF, JVM-836VS, JTM-4VS)

**Stock no. 50000125**  
ISO40-ER-32  
11 pcs/set collet holder  
(JMD-1050VS)



**Stock no. 50000059**  
42 pieces clamping kit for 12 mm  
T-groves (JMD-3)

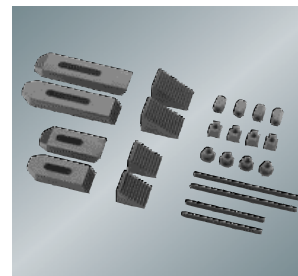
**Stock no. 50000165**  
Assortment of clamping tools  
for 14 mm T-slots (JMD-15)

**Stock no. 50000170**  
Assortment of clamping tools  
for 16 mm T-slots



**Stock no. 50000180**  
MT-3 Collet chuck with ER 40  
collets 6, 8, 10, 12, 16, 20, 25 mm  
(JMD-3, JMD-15, JMD-18)

**Stock no. 50000027**  
MT-2 collet set Dia  
3, 4, 5, 6, 8, 10 mm  
(JMD-1, JMD-2)



**Stock no. 50000028**  
Assortment of clamping tools  
8 mm T-slots (JMD-1, JMD-2)

**Stock no. 50000049**  
Assortment of clamping tools  
12 mm T-slots  
(JMD-3)



**Stock no. 50000103**  
ISO30-MT-3 morse taper adapter  
(JMD-45PF, JVM-836VS,  
JTM-4VS)

**Stock no. 50000123**  
ISO40-MT-3 morse taper adapter  
(JTM-1050VS)



**Stock no. 50000102**  
ISO30 MT-2 morse taper adapter  
(JMD-45PF, JVM-836VS,  
JTM-4VS)

**Stock no. 50000122**  
ISO40-MT-2 morse taper adapter  
(JTM-1050VS)



**Stock no. 50000106**  
ISO30-22 mm shell  
end mill arbor (JMD-45PF,  
JVM-836VS, JTM-4VS)

**Stock no. 50000126**  
ISO40-22 mm shell  
end mill arbor  
(JTM-1050VS)

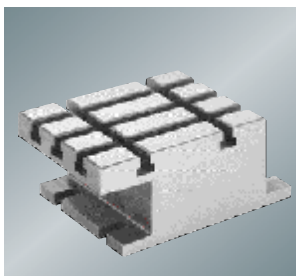


**Stock no. 50000104**  
ISO30-B-16 taper shaft  
for drill chucks (JMD-45PF,  
JVM-836VS, JTM-4VS)

**Stock no. 50000124**  
ISO40-B-16 taper shaft  
for drill chucks  
(JTM-1050VS)



**Stock no. 350055**  
Coolant system 230V  
(JMD-15, JMD-18, JMD-45PF)



**Stock no. 50000057**  
Riser table for horizontal milling  
(JMD-3)



**Stock no. 50000390**  
X-axis power feed  
(JMD-15, JMD-18, JMD-18VS,  
JMD-45PF)

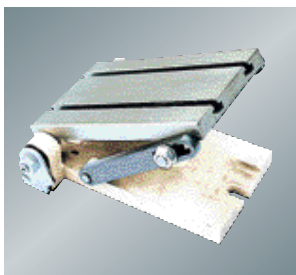


**Stock no. 50000101**  
Y-axis feed  
(JVM-836VS, JTM-4VS)  
**Stock no. 50000108**  
Y-axis feed for JTM-1050VS

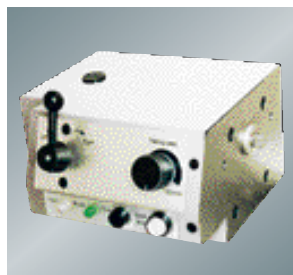


**Stock no. 50000109**  
Power draw bar ISO40, M16  
for JTM-1050VS

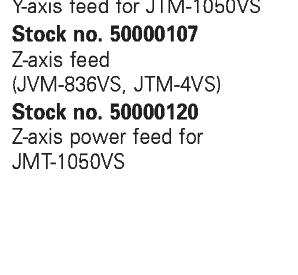
**Stock no. 50000115**  
Power draw bar ISO30, M12  
(JVM-836VS, JTM-4VS)



**Stock no. 50000063**  
Angle work table, tiltable  
(JMD-3)



**Stock no. 50000055**  
X-axis power feed  
(JMD-3)



**Stock no. 50000107**  
Z-axis feed  
(JVM-836VS, JTM-4VS)

**Stock no. 50000120**  
Z-axis power feed for  
JMT-1050VS

# MILLING / DRILLING

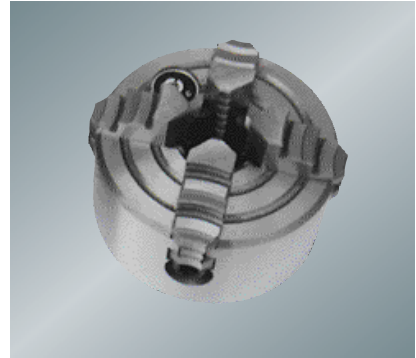
## ACCESSORIES MILLING / DRILLING CENTER



**Stock no. 50000056**  
Closed machine stand  
(JMD-3)



**Stock no. 350045**  
Closed machine stand  
(JMD-15, JMD-18, JMD-18VS,  
JMD-45PF)

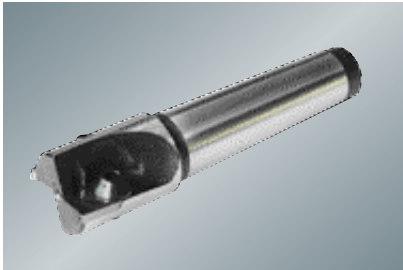


**Stock no. 50000034**  
4-jaw chuck Ø 80 mm for 50000026

**Stock no. 50000032**  
Chuck flange for 50000026

**Stock no. 50000915**  
4-jaw chuck Ø 100 mm for 50000065

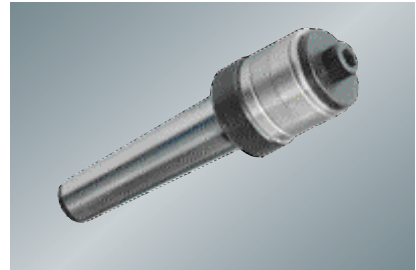
**Stock no. 50000068**  
Chuck flange for 50000065



**Stock no. 50000062**  
Indexable carbide endmill Ø 30 mm / MT-3  
(JMD-3, JMD-15, JMD-18)



**Stock no. 50000035**  
Boring bar MT-2  
(JMD-1, JMD-2)

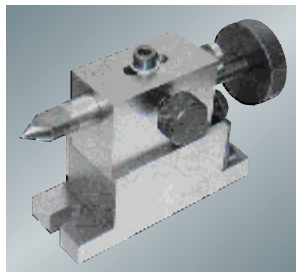


**Stock no. 50000038**  
Shell end mill arbor MT-2 / Ø 13 mm  
(JMD-1, JMD-2)



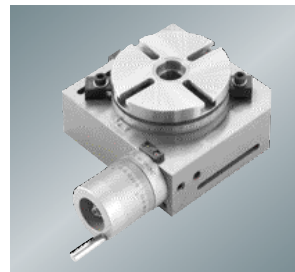
**Stock no. 50000029**  
Dividing kit for 50000026

**Stock no. 50000066**  
Dividing kit for 50000065



**Stock no. 50000031**  
Tailstock for 50000026  
(JMD-1, JMD-2)

**Stock no. 50000067**  
Tailstock for 50000065  
(JMD-3)



**Stock no. 50000026**  
Rotary table Ø100 mm  
(JMD-1, JMD-2)

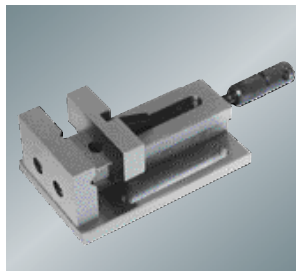
**Stock no. 50000065**  
rotary table Ø 150 mm  
(JMD-3, JMD-15)



**Stock no. 464816**  
Divider with round circular  
dividing table 200 mm / MT-3



**Stock no. 50000064**  
100 mm angle vise  
schwenkbar  
(JMD-3)



**Stock no. 50000025**  
Machine vise 50 x 50 mm  
**Stock no. 10000371**  
Machine vise 100 x 100 mm



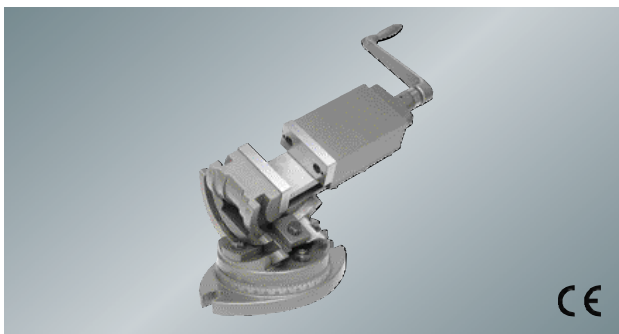
**Stock no. 50000036**  
55 x 75 mm quick vise with  
rotary table  
(JMD-1, JMD-2)  
**Stock no. 50000058**  
80 x 100 mm quick vise with  
rotary base  
(JMD-3)



**Stock no. 385019**  
Tiltable vise 100 x 30 x 0-100 mm  
**Stock no. 385020**  
Tiltable vise 125 x 32 x 0-105 mm  
**Stock no. 385021**  
Tiltable vise, 150 x 40 x 0-140 mm

# SUPER PRECISION MACHINE VISES

# MACHINE VISES

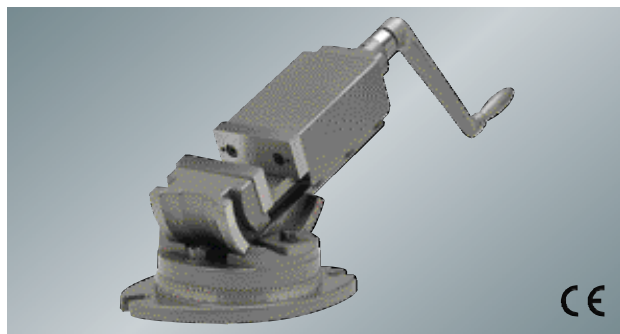


CE

## SUPER PRECISION 3-AXIS TILTING MACHINE VISES

- ◆ Perfect vise for 3-axis jobs
- ◆ Vise bodies are constructed of close grained, high tensile, seasoned alloy castings
- ◆ Durable polychromatic finish
- ◆ Jaw plates hardened and ground 55 +3 HRC
- ◆ No jaw tilt
- ◆ Accurately indexed for 3 way angular work
- ◆ All ground surfaces are made to close accuracies
- ◆ 45° Tilting range on either side
- ◆ 90° Vertical indexing
- ◆ 360° Swivel base

Stock number	11701	11702	11803
Chuck jaw	75 x 33 mm	100 x 38 mm	125 x 45 mm
Jaw opening	75 mm	100 mm	125 mm
Weight	11 kg	21 kg	37 kg

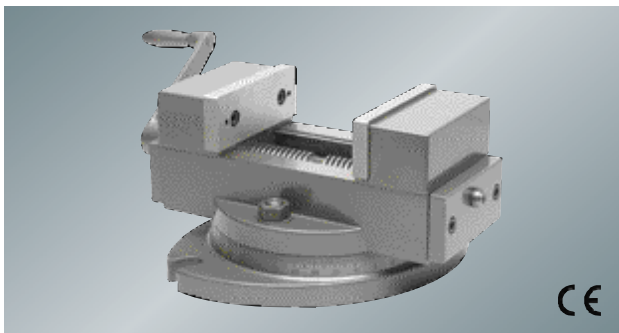


CE

## SUPER PRECISION 2-AXIS TILTING MACHINE VISES

- ◆ Perfect vise for 2-axis
- ◆ Vise bodies are constructed of close grained, high tensile, seasoned alloy castings
- ◆ All ground surfaces made to close tolerances
- ◆ Jaw plates hardened and ground 55 +3 HRC
- ◆ No jaw tilt
- ◆ Ergonomically designed all steel handle with spring loaded ball attachment
- ◆ Perfectly indexed for angular work
- ◆ 90° Tilting range
- ◆ 360° Swivel base

Stock number	11703	11704	11705
Chuck jaw	50 x 24 mm	75 x 33 mm	100 x 38 mm
Jaw opening	50 mm	75 mm	100 mm
Weight	3.6 kg	9.5 kg	17 kg

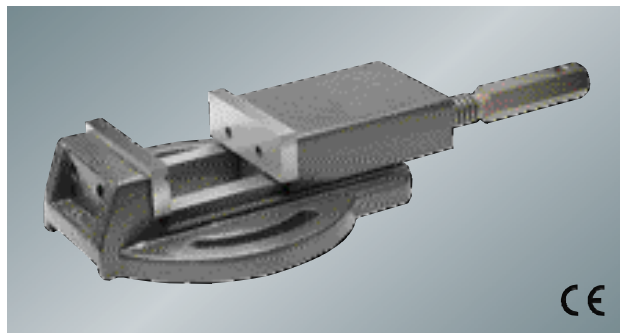


CE

## SUPER PRECISION SELF CENTERING VISE

- ◆ Allows for accurate centering of jobs automatically
- ◆ Vise bodies are constructed of close grained castings
- ◆ High tensile, seasoned alloy castings
- ◆ Jaws ground and hardened to 55 + 3 HRC
- ◆ Automatically adjusts work piece to its center
- ◆ Ergonomically designed all steel handle with spring loaded ball attachment
- ◆ Swivel base provided with positive locking and adjustable through 360°

Stock number	11713
Chuck jaw	100 x 38 mm
Jaw opening	100 mm
Weight	14.5 kg



CE

## SUPER PRECISION DRILL PRESS VISES

- ◆ Rugged design makes these vises perfect for even the most difficult of drilling, tapping and reaming operations
- ◆ Body made from close grain aged cast iron
- ◆ Hardness of jaws-55+3HRC
- ◆ Ground vise bed for smooth and consistent jaw movement
- ◆ Jaws are hardened and ground, with cross patterned 90° V-grooves in the stationary jaw facilitating holding of round pieces both horizontally & vertically

Stock number	11719
Chuck jaw	100 x 33 mm
Jaw opening	100 mm
Weight	9 kg