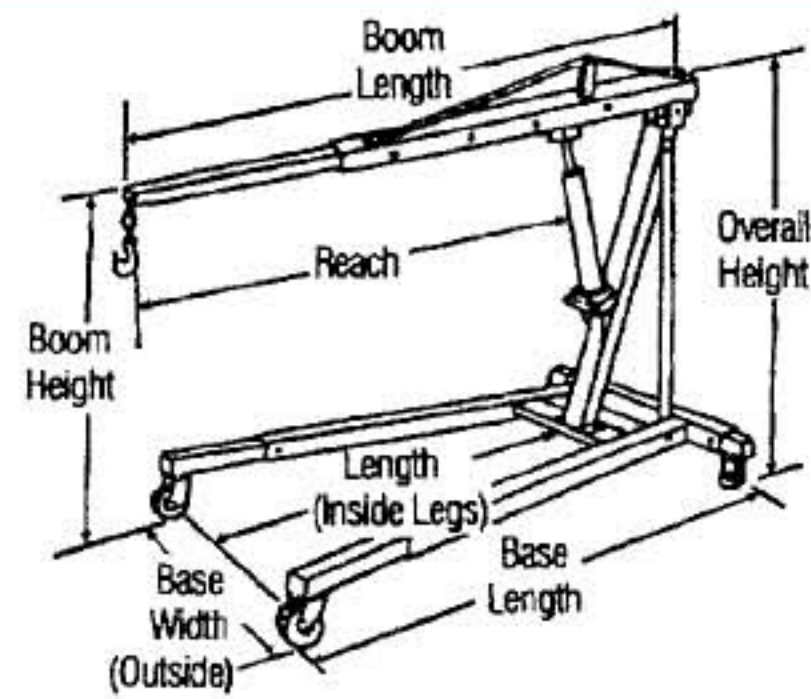




**HYDRAULIC SHOP CRANES**

- Heavy-duty steel frame construction
- Quick-lift hydraulic ram features two pump pistons - lifts with both up and down stroke
- Chrome plated plunger and ram pistons provide superior rust resistance
- Top-of-stroke and safety overload bypass system protects hydraulic ram assembly
- Oversized hitch pin for quick and easy boom adjustment
- Steering handles enable improved maneuverability
- Rugged steel fixed and swivel casters
- JFHC-200X model features folding legs with safety pins for compact storage
- Complies with ANSI/ASME PALD-12 standards



STOCK NO.	MODEL	BOOM POSITION	CAP'Y (LBS.)	SHIP WEIGHT (LBS.)	CARTON PACK
106200	JHC-200X	1	1100	295	1
		2	2000		
		3	3300		
		4	4400		
106203K	JFHC-200X	1	1100	229	1
		2	2000		
		3	3300		
		4	4400		

MODEL	BOOM HEIGHT MAX.	BOOM HEIGHT MIN.	BOOM LENGTH	BOOM REACH	OVERALL HEIGHT	BASE LENGTH MAX.	BASE LENGTH MIN.	BASE WIDTH MAX.	BASE WIDTH MIN.	LENGTH INSIDE LEGS MAX.	LENGTH INSIDE LEGS MIN.	LEG HEIGHT	CASTER SIZE	CHAIN SIZE (WXL)
JHC-200X	92-1/2	3	81	60-1/2	56-3/8	94-1/2	63-1/4	37	31	76	44-3/4	7-3/4	3-1/2	3/8 x 12
	86-3/4	7-3/4	72	51-1/2										
	81	12-1/2	63	42-1/2										
	75-1/4	17-1/4	54	33-1/2										
JFHC-200X	105-1/4	3-5/8	63-1/8	47-7/8	58	68-1/2	21-1/2	38	32	51	51	7-3/4	3-1/2	3/8 x 12
	100-1/4	9-3/4	56	40-3/4										
	94-1/2	15-3/4	49	33-3/4										
	88-3/8	22	41-7/8	26-1/2										