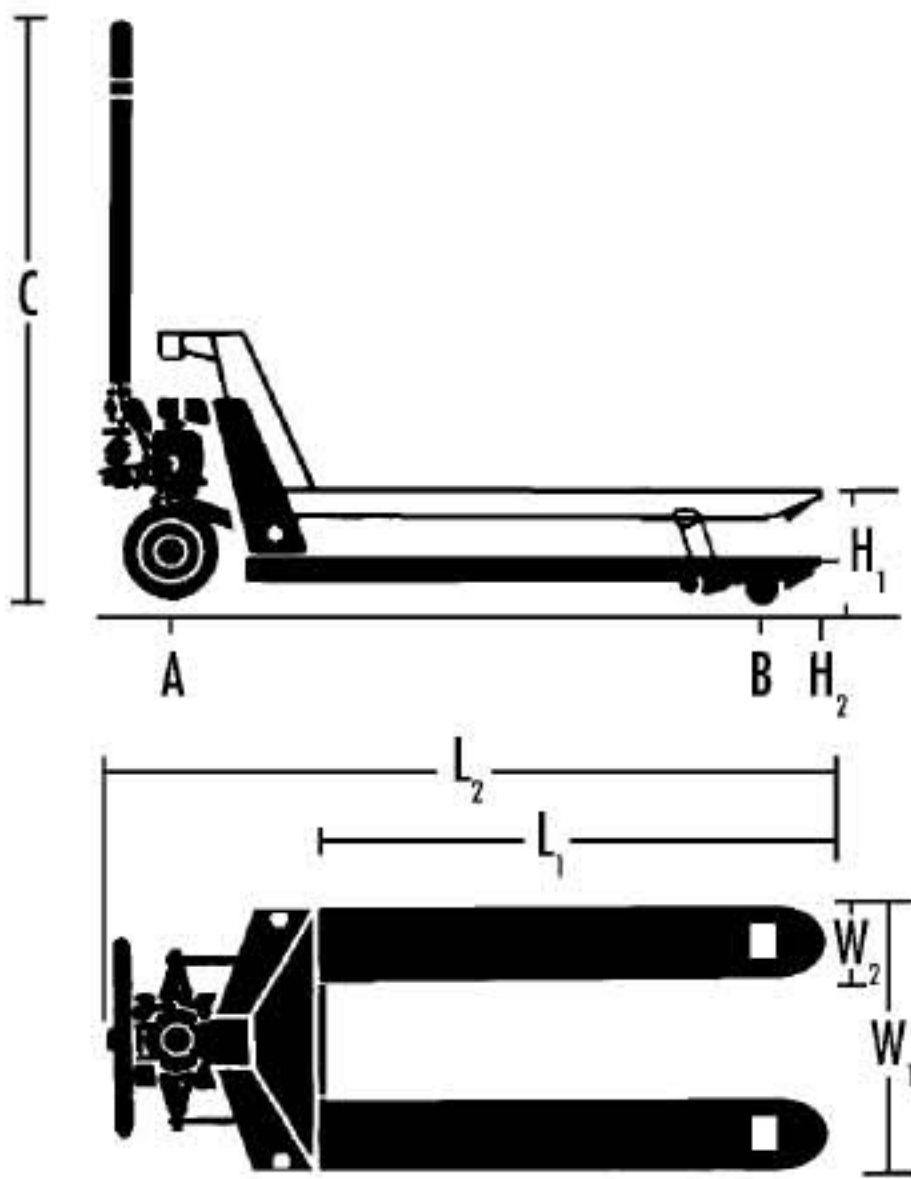




140075



W SERIES PALLET TRUCKS



- 6000 pound capacity
- 200° turning radius allows room to maneuver in tight quarters
- Articulating 7" poly-over-aluminum steer wheels ensure continual contact with uneven floors
- One-piece cast pump features high quality seals, hardened and chrome plated ram and piston, top-of-stroke and overload safety bypass valves
- Pump also features smooth, special lowering valve for controlled descent
- Single point valve replacement for quick and easy rebuild
- Rounded fork tips with nylon guide rollers for trouble-free pallet entry and exit
- Solid steel push rods never need adjustment
- Wheel bearings are double sealed and lifetime lubricated



DIMENSIONS (IN)

STOCK NUMBER	MODEL	W1	W2	L1	L2	H1	H2	A	B	C	SHIP WEIGHT (LBS.)	CARTON PACK
140070	PT-2036W	20-1/2	6-1/4	36	52-1/2	7-3/4	2-7/8	7 x 2	2-7/8 x 3-11/16	47	170	1
140071	PT-2042W	20-1/2	6-1/4	42	58-1/2	7-3/4	2-7/8	7 x 2	2-7/8 x 3-11/16	47	179	1
140072	PT-2048W	20-1/2	6-1/4	48	64-1/2	7-3/4	2-7/8	7 x 2	2-7/8 x 3-11/16	47	187	1
140073	PT-2736W	27	6-1/4	36	52-1/2	7-3/4	2-7/8	7 x 2	2-7/8 x 3-11/16	47	183	1
140074	PT-2742W	27	6-1/4	42	58-1/2	7-3/4	2-7/8	7 x 2	2-7/8 x 3-11/16	47	192	1
140075	PT-2748W	27	6-1/4	48	64-1/2	7-3/4	2-7/8	7 x 2	2-7/8 x 3-11/16	47	200	1