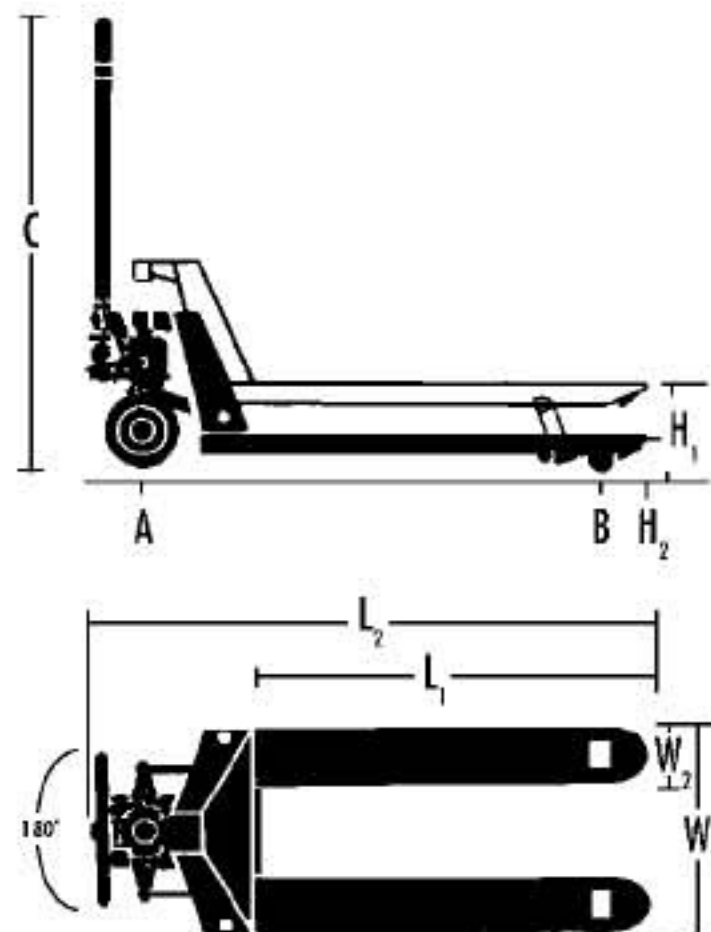




**PTX PALLET TRUCK**

- 5,500 lb capacity
- 2-1/2" lowered height
- 210° turning radius
- One piece cast iron pump features high quality seals, hardened and chrome-plated ram and piston, top-of-stroke and overload bypass valves
- Rounded fork tips with nylon guide rollers for trouble-free pallet entry and exit
- Solid Steel push rod never needs adjustment
- Extra wide poly over aluminium steer wheels feature double sealed, life time lubricated bearings.



**JET MATERIAL HANDLING**

**DIMENSIONS (IN)**

STOCK NO.	MODEL	W1	W2	L1	L2	H1	H2	A	B	C	SHIP WEIGHT (LBS)	CARTON PACK
140091	PTX-2048	20	6	48	51	6-1/4	2-1/2	7X2	2-1/2X3-3/4	47-1/4	172	1
140092	PTX-2036	20	6	36	51	6-1/4	2-1/2	7X2	2-1/2X3-3/4	47-1/4	150	1
140093	PTX-2748	27	6	48	63	6-1/4	2-1/2	7X2	2-1/2X3-3/4	47-1/4	196	1