

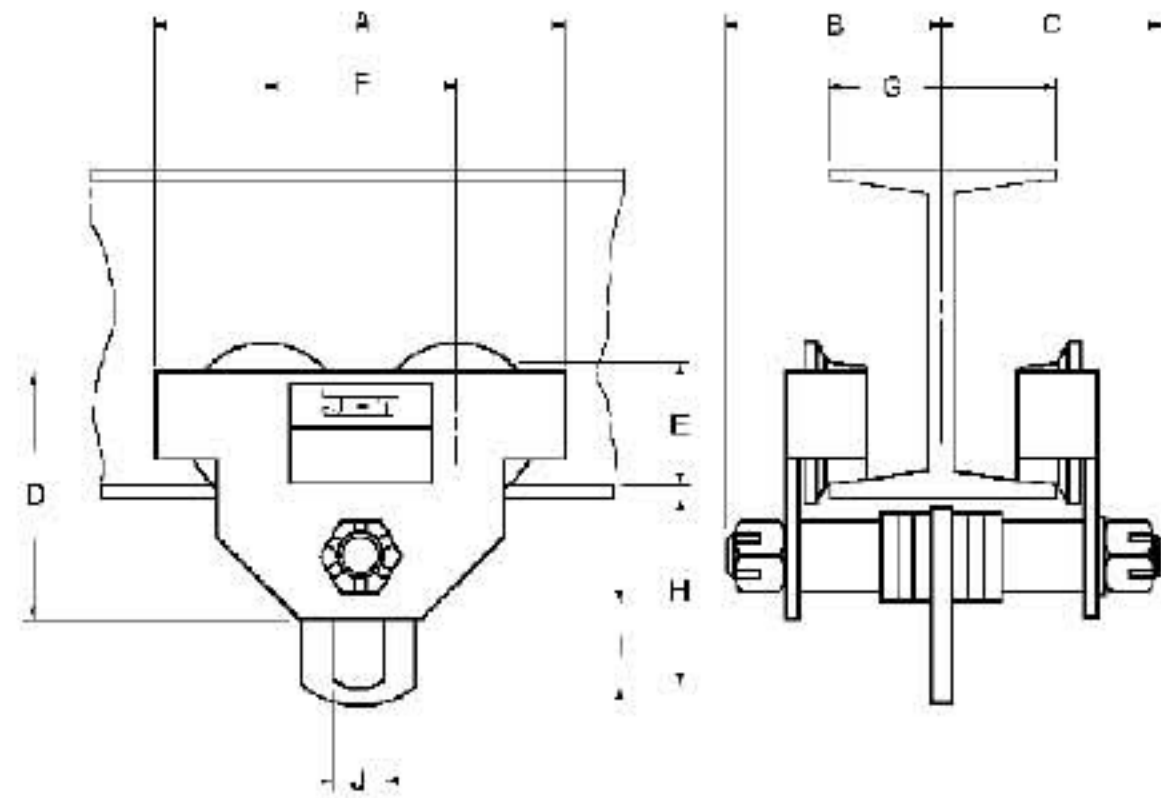


252005



PT SERIES INDUSTRIAL-DUTY PLAIN TROLLEYS

- Designed for low maintenance and trouble-free operation through a wide range of beams
- 1/2-ton to 10-ton capacities
- For use with wide-flange H-beams, standard I-beams, or curved track
- Multiple spacer washers make beam flange width adjustment quick and easy
- Rugged steel side plates feature built-in bumper guards
- Hardened wheels with lubricated for life, double sealed ball bearings
- Proof tested with test certificate
- Compliance: OSHA, ANSI/ASME B30.11 and B30.17 standards



DIMENSIONS (IN.)

MODEL	A	B	C	D	E	F	G	H	I	J
1/2 PT	8-3/8	6-3/16	6-3/16	5-1/8	2-5/16	4	2-1/2 - 8	4	1-9/16	15/16
1 PT	9-15/16	6-1/2	6-1/2	6-1/8	2-15/16	4-5/8	3 - 8	4-1/2	1-15/16	1-3/16
1-1/2 PT	10-7/8	6-5/8	6-5/8	6-3/8	3-3/8	4-7/8	3-1/4 - 8	5-1/8	2-1/2	1-5/16
2 PT	11-7/8	6-7/8	6-7/8	6-11/16	3-9/16	5-3/8	3-1/4 - 8	5-1/4	2-9/16	1-7/16
3 PT	13-5/8	7-5/16	7-5/16	8-9/16	4-5/16	6-3/16	4 - 8	6-5/8	3	1-3/4
5 PT	15-1/16	7-7/8	7-7/8	10-1/16	4-13/16	6-3/4	4-5/8 - 8	7-7/8	3-13/16	2-3/8
10 PT	17-15/16	8-1/2	8-1/2	11-5/8	5-15/16	7-7/8	4-3/4 - 8	10-1/8	5	3-1/4

STOCK NO.	MODEL	CAP'Y (TON)	BEAM FLANGE WIDTH (IN.)	BEAM HEIGHT (FT.)	MIN. RADIUS CURVE (IN.)	SHIP WEIGHT (LBS.)	CARTON PACK
252005	1/2 PT	1/2	2-1/2 - 8	4-19	39	20	1
252010	1 PT	1	3 - 8	4 - 19	39	34	1
252015	1-1/2 PT	1-1/2	3-1/4 - 8	4 - 19	43	43	1
252020	2 PT	2	3-1/4 - 8	4 - 19	43	52	1
252030	3 PT	3	4 - 8	5 - 19	51	88	1
252050	5 PT	5	4-5/8 - 8	5 - 19	55	129	1
252060	10 PT	10	4-3/4 - 8	5 - 19	67	213	1

JET MATERIAL HANDLING