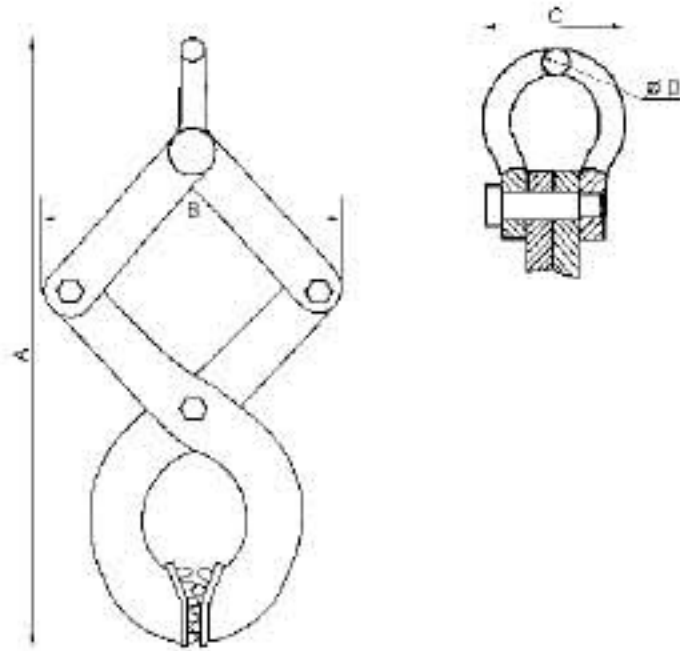


PAPL SERIES PALLET PULLERS

- Heavy-duty, solid steel pallet pullers are designed to pull pallets across a smooth floor
- Heat treated, carbon steel teeth
- For unloading trucks at ground level
- Extends forklift reach
- Single scissor action provides superior grip
- Not designed for or to be used for lifting



DIMENSIONS (IN.)

| STOCK NO. | MODEL | CAPY (LBS) | A MAX. | A MIN. | B MAX. | B MIN. | C | D | E MIN. | E MAX. | NET WEIGHT (LBS.) |
|-----------|--------|------------|--------|--------|---------|----------|---------|-------|--------|--------|-------------------|
| 140001 | PAPL-1 | 2000 | 16-1/4 | 10-1/4 | 12-3/16 | 10-13/16 | 2-13/16 | 5/8 | 1-1/8 | 4 | 13 |
| 140002 | PAPL-2 | 4000 | 21-3/4 | 13-3/8 | 15-3/8 | 12-3/16 | 3-3/8 | 13/16 | 1-1/8 | 7-7/8 | 21 |

RSA SERIES RATCHET STRAPS

- Designed to hold loads in place on trucks, rail cars, ships and other freight carriers
- Easy to attach and remove with 18" fixed length
- Heavy-duty quick-action ratchet draws strap tight over the load
- Strap is weather resistant, low stretch 2-ply polyester
- Red color core provides warning that strap is damaged and must be replaced
- Zinc coated steel components to inhibit rust
- Flat hook or J-hook style available
- Complies with US DOT regulations

CAUTION:

Do not exceed working load limit. Read owner's manual for additional warnings and precautions.



| STOCK NO. | MODEL | WORKING LOAD LIMIT (LBS.) | BREAK STRENGTH (LBS.) | HOOK TYPE | WEB STRAP WIDTH (IN.) | WEB STRAP LENGTH (FT) | FIXED STRAP LENGTH (IN.) | SHIP WEIGHT (LBS.) | CARTON PACK |
|-----------|---------|---------------------------|-----------------------|-----------|-----------------------|-----------------------|--------------------------|--------------------|-------------|
| 583230 | RSA-6F | 2000 | 6000 | Flat | 2 | 27 | 18 | 6 | 1 |
| 583231 | RSA-10F | 3300 | 10,000 | Flat | 2 | 27 | 18 | 7 | 1 |
| 583232 | RSA-6J | 2000 | 6000 | J | 2 | 27 | 18 | 6 | 1 |
| 583233 | RSA-10J | 3300 | 10,000 | J | 2 | 27 | 18 | 7 | 1 |