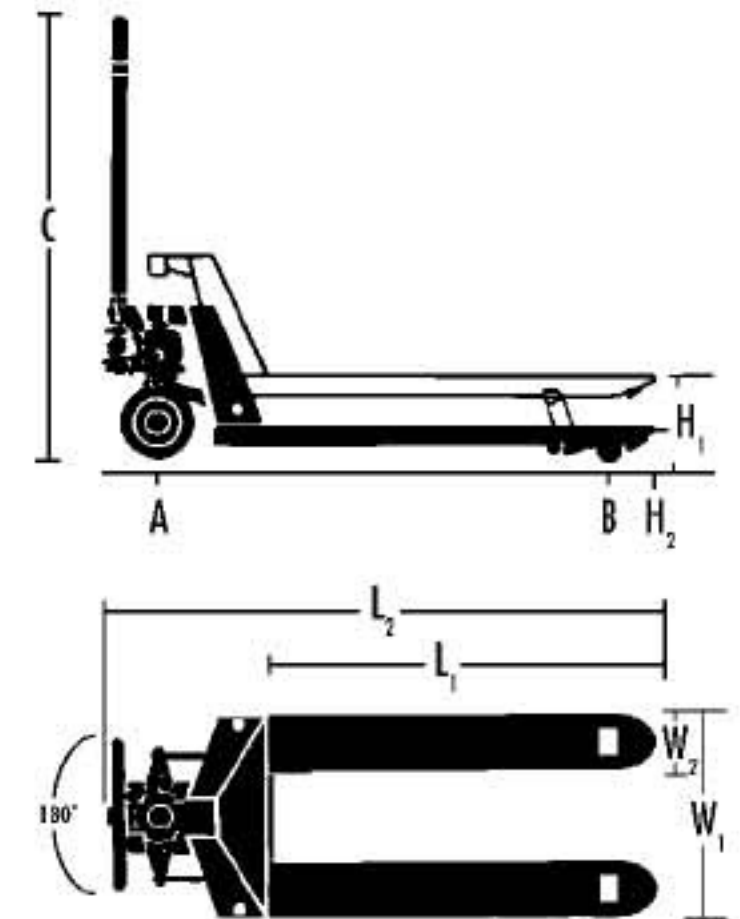




JTX PALLET TRUCK

- 8000 pound capacity
- One-piece cast pump features high quality seals, hardened and chrome plated ram and piston, top-of stroke and overload bypass valves
- Rounded fork tips with nylon guide rollers for trouble-free pallet entry and exit
- Solid steel push rods never need adjustment
- 210° turning radius
- Large 8" poly over aluminium steering wheels feature double sealed, life time lubricated bearings



JET MATERIAL HANDLING

DIMENSIONS (IN)

STOCK NUMBER	MODEL	W1	W2	L1	L2	H1	H2	A	B	C	SHIP WEIGHT (LBS.)	CARTON PACK
140800	JTX-2748	27	6-1/4	48	63-1/2	6-1/4	3-1/4	8x2	3-1/4x3-1/2	49-1/4	240	1