

## JLP SERIES LEVER HOISTS

- Economical lever hoist designed for years of trouble-free operation
- 1/4-ton to 6-ton capacities
- 5', 10', 15' and 20' lifts standard, custom length lifts available
- All steel construction with a durable powder coat finish
- Completely enclosed Weston type automatic brake system holds load in any position
- Easy-to-use with single hand operation and control
- Simple design makes routine inspection and maintenance easy
- Freewheeling feature without load for quick load attachment
- Hardened grade 80 low wear chain
- Drop forged hooks with heavy-duty safety latches swivel 360° for easy rigging
- Proof tested with test certificate
- Complies with OSHA, ANSI/ASME B30.21 and HST-3 standards

**CAUTION**

Be sure that the supporting structures and load-attaching devices used in conjunction with this hoist provide an adequate safety factor to handle the rated load plus the weight of the equipment. If in doubt, consult a qualified structural engineer. This equipment is not to be used for lifting, supporting or transporting people, or lifting or supporting loads over people.

**IMPORTANT**

Before installation, read owner's manual for additional warnings and precautions. Not for use in an explosive environment.

**OPTIONAL ACCESSORIES**

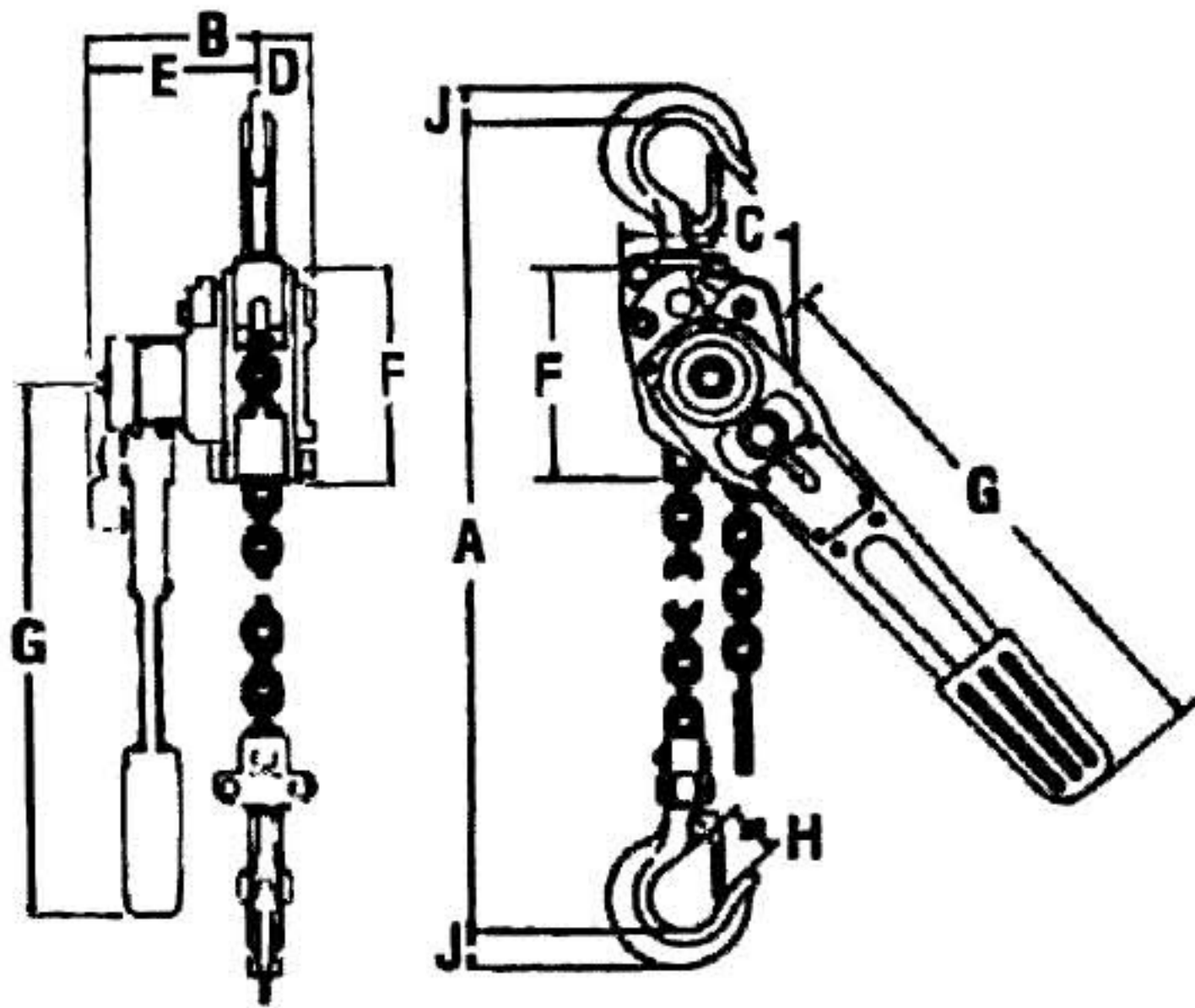
- Trolleys
- Beam Clamps
- Slings



187711







**DIMENSIONS (IN.)**

MODEL	A	B	C	D	E	F	G	H	I	J
JLP-25	9-1/8	3-1/2	2-3/4	3/4	2-3/4	3	10-1/4	7/8	1/2	3/4
JLP-50	11-7/8	4-5/16	4-13/16	1-3/16	3-1/8	4-3/4	10-1/4	1-3/8	1/2	3/4
JLP-75	12-7/16	5-3/4	4-15/16	2-3/8	3-7/16	5	10-1/4	1-7/16	9/16	1
JLP-150	14	7	5-3/4	2-7/8	4-1/8	6	16-1/8	1-3/4	11/16	1-1/4
JLP-300	19-3/4	8	7-9/16	3-5/8	4-5/16	8-1/2	16-1/8	2-1/8	1	1-3/4
JLP-600	24-7/16	8	9-1/4	3-5/8	4-5/16	8-1/2	16-1/8	2-9/16	1-1/8	1-3/4

STOCK NO.	MODEL	RATED CAP'Y (TON)	STD. LIFT (FT)	MIN. DISTANCE BETWEEN HOOKS (IN.)	NO. OF FALLS	LOAD CHAIN (DIA./MM)	LEVER LENGTH (IN.)	POUNDS PULL TO LIFT CAP'Y	LIFT PER FULL TURN OF LEVER (IN.)	SHIP WEIGHT (LBS.)	CARTON PACK
187730	JLP-25-5	1/4	5	9-1/8	1	4	10-1/4	57	2-3/4	9	1
187705	JLP-50-5	1/2	5	11-7/8	1	5	10-1/4	79	3-1/2	12	1
187706	JLP-50-10	1/2	10	11-7/8	1	5	10-1/4	79	3-1/2	15	1
187707	JLP-75-5	3/4	5	12-7/16	1	6	10-1/4	32	3/4	17	1
187708	JLP-75-10	3/4	10	12-7/16	1	6	10-1/4	32	3/4	20	1
187709	JLP-75-15	3/4	15	12-7/16	1	6	10-1/4	32	3/4	22	1
187710	JLP-75-20	3/4	20	12-7/16	1	6	10-1/4	32	3/4	25	1
187711	JLP-150-5	1-1/2	5	14	1	8	16-1/8	42	7/8	28	1
187712	JLP-150-10	1-1/2	10	14	1	8	16-1/8	42	7/8	33	1
187713	JLP-150-15	1-1/2	15	14	1	8	16-1/8	42	7/8	38	1
187714	JLP-150-20	1-1/2	20	14	1	8	16-1/8	42	7/8	43	1
187715	JLP-300-5	3	5	19-3/4	1	10	16-1/8	72	5/8	46	2
187716	JLP-300-10	3	10	19-3/4	1	10	16-1/8	72	5/8	54	2
187717	JLP-300-15	3	15	19-3/4	1	10	16-1/8	72	5/8	61	2
187718	JLP-300-20	3	20	19-3/4	1	10	16-1/8	72	5/8	69	2
187719	JLP-600-5	6	5	24-7/16	2	10	16-1/8	76	5/8	68	1
187720	JLP-600-20	6	20	24-7/16	2	10	16-1/8	76	5/8	113	1

**JET MATERIAL HANDLING**