

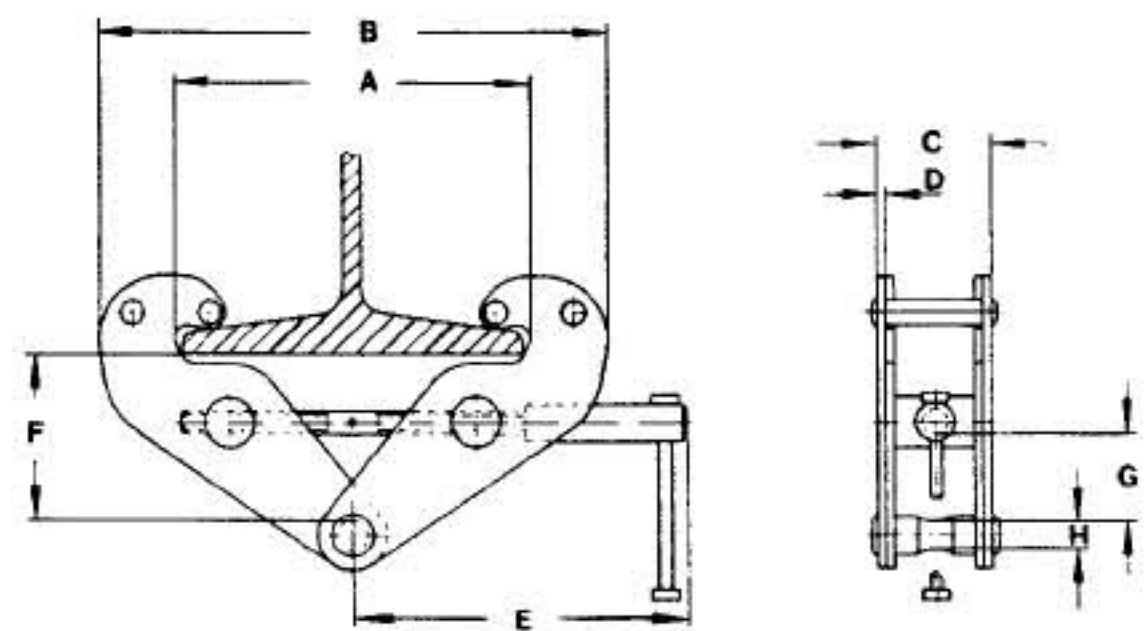


JBC SERIES INDUSTRIAL-DUTY BEAM CLAMPS

- For construction, commercial and industrial vertical or horizontal rigging operations
- 1-ton to 5-ton capacities
- Mount hoists or lift beams with portable lightweight clamp
- Adjusts with ease to fit a broad range of wide-flange H or standard I-beams
- Clamp jaw designed to distribute the load away from beam flange edge
- Low headroom with built-in suspension rod
- Proof tested with test certificate
- Compliance: ANSI/ASME B30.17 and B30.20 standards

CAUTION

Read owners manual for additional warnings and precautions before use. Failure to read, understand and follow all instructions can result in serious injury. Do not exceed rated capacity. Use clamp only if authorized and properly trained. Do not move unbalanced load. Not for use in explosive environment.



JET MATERIAL HANDLING

STOCK NO.	MODEL	RATED CAPY (LBS.)	BEAM FLANGE WIDTH (IN.)	DIM. (IN.) MAX.A.	MIN. B	MAX. B	C	D	E	MAX. F	MIN. F	MIN. G	H	SHIPWT. EACH (LBS.)	CARTON PACK
252710	JBC-1	2,000	2-31/32-8-21/32	9-21/32	7-3/32	14-11/64	2-3/4	13/64	9-9/32	5-5/16	3-35/64	1-3/16	13/16	12	1
252720	JBC-2	4,000	2-31/32-8-21/32	9-21/32	7-3/32	14-11/64	2-29/32	1/4	9-9/32	5-5/16	3-35/64	1-3/16	13/16	14	1
252730	JBC-3	6,000	3-15/16-9-2/32	11-5/8	9-27/32	17-11/32	4-21/32	5/16	10-1/4	6-11/16	4-11/32	2-11/64	1	27	1
252750	JBC-5	10,000	4-15/16-10-5/8	11-7/32	10-7/16	19-3/32	5-1/2	25/64	10-1/4	6-15/16	4-15/16	2-3/64	1-7/64	34	1