

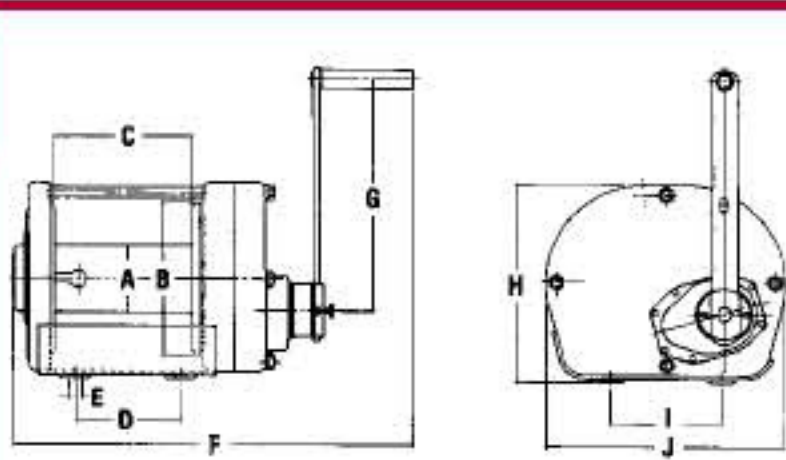


181046



IWF HEAVY-DUTY INDUSTRIAL WINCHES

- Engineered for dependable, quiet and trouble-free operation
- 1200-lb to 20,000-lb capacities
- Hermetically sealed gear and brake sections provide superb protection from dust and weather
- Ratchets in and out with patent pending no load free-wheeling feature
- Double-tipped brake pawl system for constant engagement
- Asbestos-free Aramid fiber brake discs are safe for the environment
- Hardened steel gears with stainless steel springs for long life
- Adjustable length handle is removable before free-spooling
- Capacity rating is based on one layer of cable on drum, as cable builds on drum capacity decreases
- Cable not included



DIMENSIONS (IN.)

MODEL	A	B	C	D	E	F	G	H	I	J
IWF-100N	1-7/8	4-3/8	4-5/8	3-1/8	7/16	15-13/16	9-7/16	5-13/16	3-9/16	6-5/16
IWF-300N	2-3/8	4-15/16	5-7/8	3-15/16	9/16	19-3/16	13-3/4	6-7/8	5-1/8	8-11/16
IWF-500N	2-3/4	5-1/2	5-7/8	3-15/16	9/16	19-3/16	13-3/4	7-3/16	5-1/8	9-5/8
IWF-1000N	3-1/2	6-7/8	6-1/8	4-5/16	11/16	20-13/16	13-3/4	8-7/16	6-11/16	10-1/2
IWF-2000N	4-5/16	7-1/2	7-11/16	6-1/8	11/16	22-9/16	13-3/4	9-1/8	6-11/16	11-13/16
IWF-3000N	5-1/2	9-1/16	8-1/16	6-1/8	11/16	24-15/16	13-3/4	11-5/8	6-11/16	14-1/4

STOCK NO.	MODEL	CABLE SIZE (IN.)	MAX DRUM CAPY (FT.)	NO. OF LAYERS ON DRUM	VERTICAL LIFT CAPY ON 1ST LAYER (FT.)	VERTICAL LIFT CAPY ON LAST LAYER (LBS.)	HORIZONTAL PULL CAPY ON 1ST LAYER (LBS.)
181041	IWF-100N	5/32	131	7	220	115	1,200
181042	IWF-300N	3/16	131	6	551	311	3,300
181043	IWF-500N	1/4	98	5	882	540	5,000
181044	IWF-1000N	5/16	98	5	1,653	996	10,000
181045	IWF-2000N	3/8	98	4	2,425	1,616	14,000
181046	IWF-3000N	1/2	66	3	3,748	2,846	20,000

STOCK NO.	MODEL	OVERALL DIM. (L X W X H/IN.)	LENGTH TAKEN UP PER TURN	HAND PULL REQUIRED TO LIFT LOAD (LBS.)	HANDLE LENGTH (IN.)	GEAR RATIO	NET WEIGHT (LBS.)
181041	IWF-100N	10-7/8 x 6-5/16 x 5-13/16	6-1/2	26	9-13/16	1:1	16
181042	IWF-300N	14-1/4 x 8-11/16 x 6-7/8	2-7/8	20	13-3/4	288:1	27
181043	IWF-500N	14-1/4 x 9-11/16 x 7-3/16	2-3/16	25	13-3/4	433:1	30
181044	IWF-1000N	15-7/8 x 10-1/2 x 8-7/16	1	22	13-3/4	122:1	43
181045	IWF-2000N	17-5/8 x 11-13/16 x 9-1/8	11/16	22	13-3/4	222:1	57
181046	IWF-3000N	20-1/16 x 14-1/4 x 11-11/16	5/8	33	13-3/4	288:1	101

JET MATERIAL HANDLING