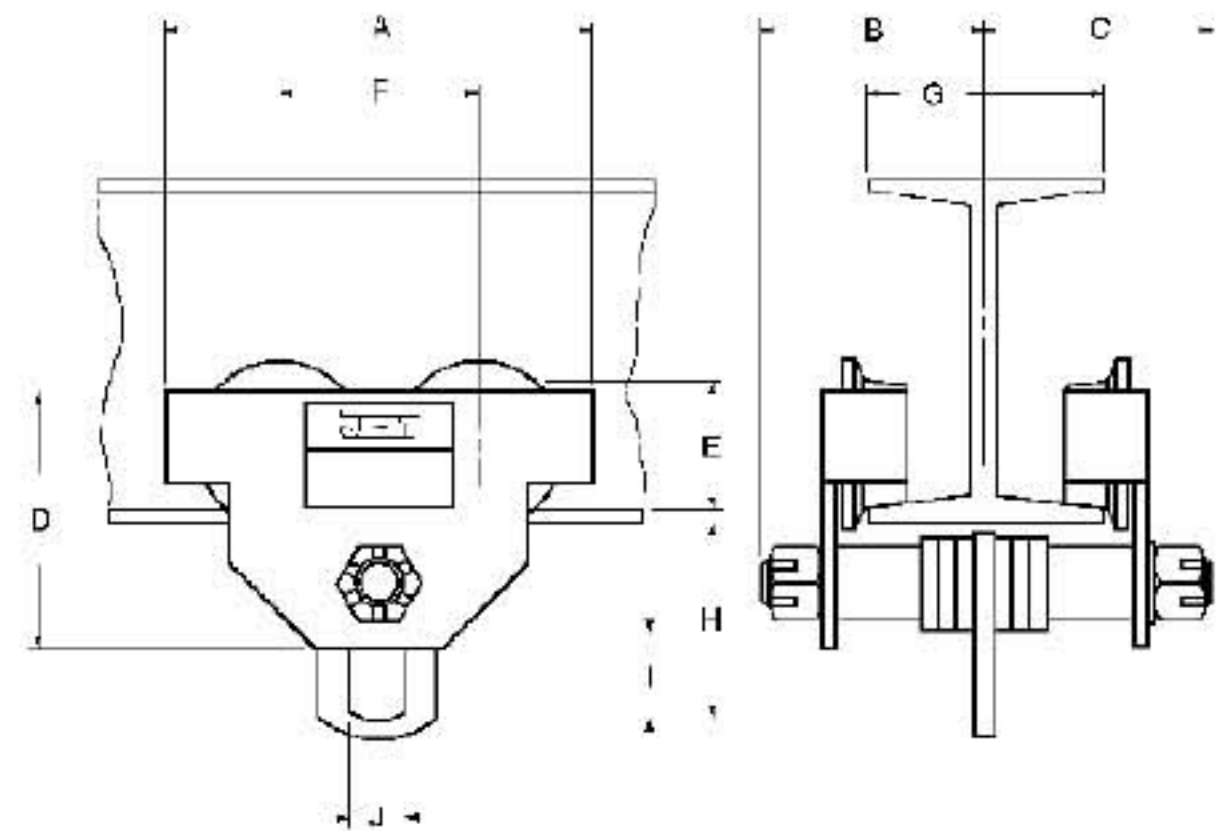




**HDT SERIES HEAVY-DUTY PLAIN TROLLEYS**

- 1/2-ton though 5-ton capacities
- Multiple spacer washers make beam flange wide adjustment quick and easy
- Hardened wheels with lubricated for life, double sealed ball bearings
- For use with wide-flange H-beams, standard I beams or curved track
- Proof tested with test certificate
- Complies with OSHA, ANSI/ASME B30.11 and B30.17 standards



**DIMENSIONS (IN.)**

| MODEL   | A       | B     | C     | D      | E       | F       | G       | H       | I       | J      |
|---------|---------|-------|-------|--------|---------|---------|---------|---------|---------|--------|
| 1/2-HDT | 7-3/8   | 5-7/8 | 5-7/8 | 4-5/8  | 2-1/16  | 3-9/16  | 2-1/2-8 | 4       | 1-1/4   | 15/16  |
| 1-HDT   | 8-3/8   | 6-1/4 | 6-1/4 | 5-1/8  | 2-1/2   | 3-15/16 | 3-8     | 4-11/16 | 1-11/16 | 1-3/16 |
| 2-HDT   | 10-3/16 | 6-1/2 | 6-1/2 | 6-5/16 | 3-1/16  | 4-13/16 | 3-1/4-8 | 5-3/8   | 2       | 1-1/2  |
| 3-HDT   | 12-3/8  | 6-7/8 | 6-7/8 | 7-7/16 | 3-15/16 | 5-15/16 | 4-8     | 6-7/16  | 2-9/16  | 1-3/4  |
| 5-HDT   | 14-9/16 | 7-3/8 | 7-3/8 | 8-9/16 | 4-3/4   | 6-7/8   | 4-5/8-8 | 7-11/16 | 3-3/8   | 2-1/2  |

| STOCK NO. | MODEL   | CAPACITY (TON) | BEAM FLANGE WIDTH (IN.) | BEAM HEIGHT (IN.) | MIN. RADIUS CURVE (IN.) | SHIP WEIGHT EACH (LBS.) | CARTON PACK |
|-----------|---------|----------------|-------------------------|-------------------|-------------------------|-------------------------|-------------|
| 262005    | 1/2-HDT | 1/2            | 2-1/2-8                 | 3-24-1/2          | 35                      | 12                      | 1           |
| 262010    | 1-HDT   | 1              | 3-8                     | 5-24-1/2          | 39                      | 18                      | 1           |
| 262020    | 2-HDT   | 2              | 3-1/4-8                 | 6-24-1/2          | 43                      | 32                      | 1           |
| 262030    | 3-HDT   | 3              | 4-8                     | 8-24-1/2          | 51                      | 53                      | 1           |
| 262050    | 5-HDT   | 5              | 4-5/8-8                 | 10-24-1/2         | 55                      | 90                      | 1           |

**JET MATERIAL HANDLING**