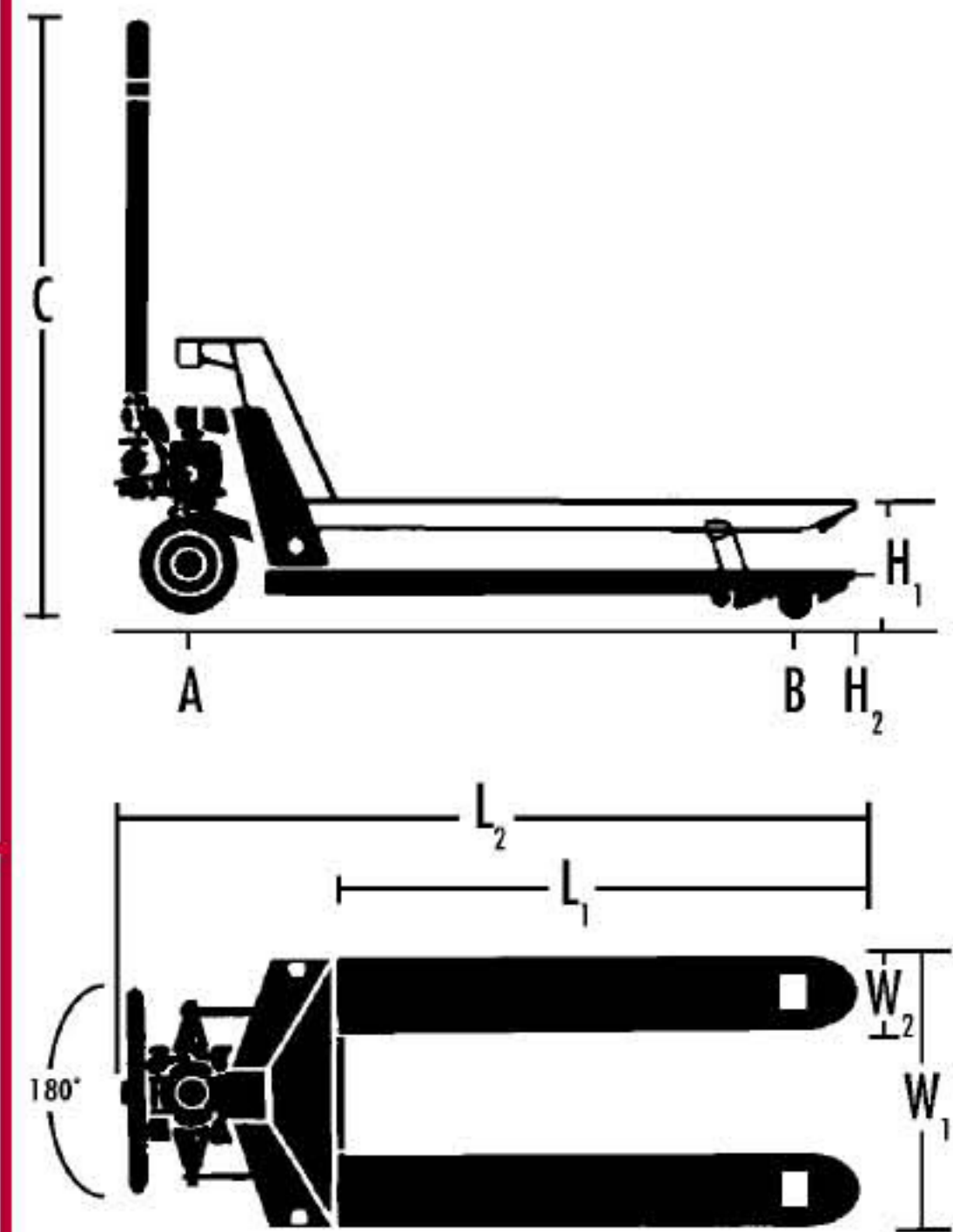




FOUR WAY PALLET TRUCK

- 5,000 pound capacity
- High-quality welded steel construction with a durable powder coat finish
- 2-1/2" low profile design for smaller size pallet openings
- Easy-to-use with single hand operation, fingertip controls and 180° turning radius
- Extra wide poly-over-steel steer wheels provide a smooth, quiet ride with added traction and stability
- Wheel bearings are double sealed and lifetime lubricated



DIMENSIONS (IN.)

STOCK NUMBER	MODEL	W1	W2	L1	L2	H1	H2	A	B	C	SHIP WEIGHT (LBS.)	CARTON PACK
140033	PT-3348J	33	6	48	63	6-1/4	2	6-1/4 x 2-3/4	2 x 3-3/4	45-1/8	184	6