



DS SERIES DUAL SPEED, HEAVY-DUTY ELECTRIC HOISTS

- Designed for commercial and industrial applications
- 1/2-ton to 5-ton capacities, three phase only
- 10' and 20' lifts standard, custom length lifts available
- Easy to install, inspect and maintain
- Totally enclosed steel plate construction with a durable powder coat finish
- Gear train features lifetime lubrication, no oil changes required
- Heavy-duty ventilated motor with thermal overload protection or reverse phase protection
- Reliable DC electro-magnetic brake holds the load even if power is interrupted
- Quick-connect wiring for power and push button controls
- Upper and lower limit switches prevent over-travel
- Durable 24V pushbutton control station with cable strain relief
- All models rated H3 with 30% duty cycle rating for 3-phase models
- 4:1 speed range ratio for greater versatility
- Reverse phase protection standard
- Can be operated on 50Hz power with 16% reduction in lifting speed
- Hook or lug mount option for low headroom applications
- Equipped with heavy-duty chain container
- Proof tested with test certificate
- Compliance: OSHA, ANSI/ASME B30.16 and HST-1 standards
- 15% duty cycle rating = 9 minutes continuous in 1 hour, or 1 minute on, 7 minutes off
- 25% duty cycle rating = 12 minutes continuous in 1 hour, or 1 minute on, 4 minutes off
- 30% duty cycle rating = 18 minutes continuous in 1 hour, or 1 minute on, 4 minutes off

CAUTION

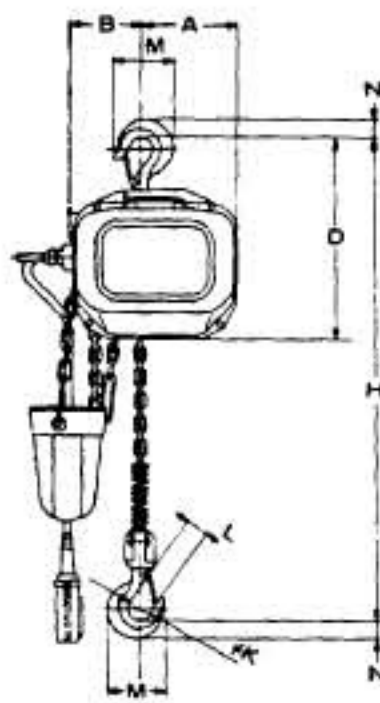
Be sure that the supporting structures and load-attaching devices used in conjunction with this hoist provide an adequate safety factor to handle the rated load plus the weight of the equipment. If in doubt, consult a qualified structural engineer. This equipment is not to be used for lifting, supporting, or transporting people, or lifting or supporting loads over people.

IMPORTANT

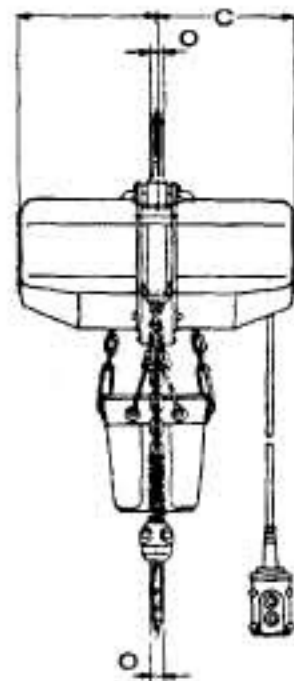
Before installation, read owner's manual for additional warnings and precautions. Not for use in an explosive environment

OPTIONAL ACCESSORIES

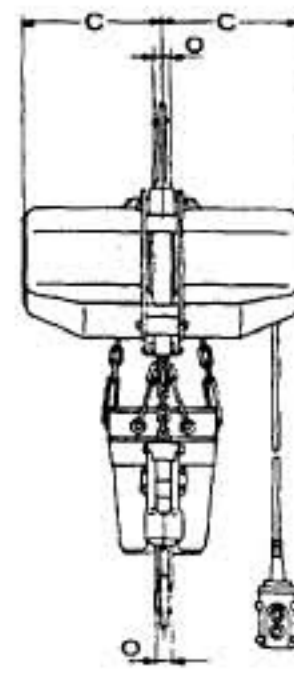
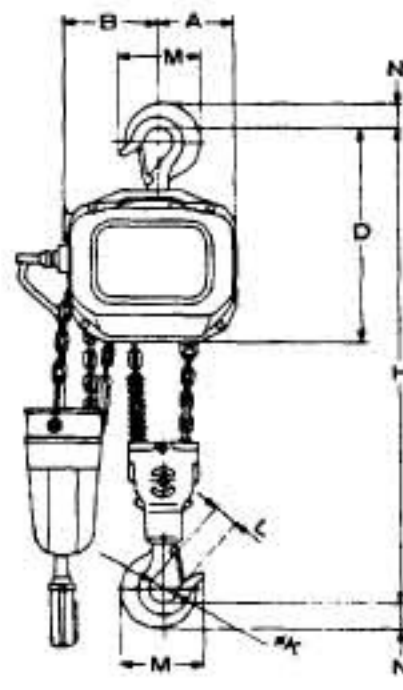
- Trolleys
- Beam Clamps
- Slings



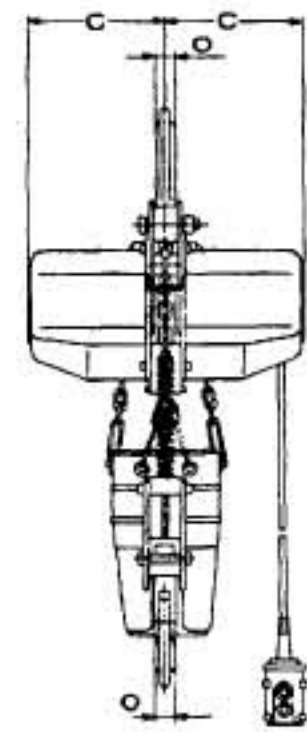
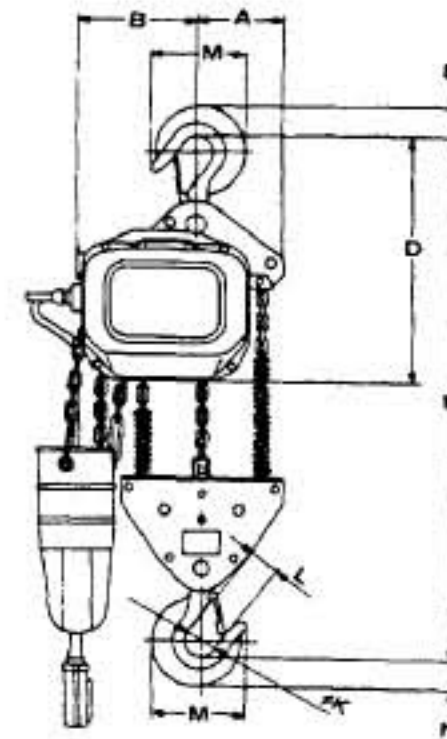
1/2T, 1T, SS & DS Series



2T SS & DS Series



3T SS & DS Series



DIMENSIONS (IN.)

MODEL	A	B	C	D	H	K	L	M	N	O
1/2DS	6-11/32	4-7/8	8-13/16	12-1/4	19	1-7/16	1-1/32	3-25/64	15/16	3/4
1DS	6-11/16	5-3/64	9-13/32	13-23/32	22-7/16	1-11/16	1-5/16	4-7/32	1-7/32	29/32
2DS	5-1/4	6-1/2	9-13/32	14-21/32	28	2-3/32	1-21/32	5-11/16	1-3/4	1-3/16
3DS	5-27/32	8-3/16	9-13/32	16-13/16	31-7/8	2-3/8	1-31/32	6-1/2	1-15/16	1-3/8
5DS	7-3/16	10-3/4	9-13/32	19-7/32	35-7/16	2-3/4	2-3/8	7-7/16	2-1/4	1-21/32

10' LIFT, 8' PUSHBUTTON CONTROL CORD, 16' POWER CABLE, SAFETY HOOKS AND CHAIN CONTAINER

STOCK NO.	MODEL	RATED CAPY (LBS.)	HOISTING SPEED (FPM)	HEAD ROOM (IN.)	MOTOR	DUTY CYCLE RATING	NO. OF FALLS	NETWEIGHT (LBS.)
151025	1/2DS-3-10	1100	28/7	19	1.2HP, 3Ph, 230V	30%	1	93
151026	1DS-3-10	2200	24.2/6	22-7/16	2.1HP, 3Ph, 230V	30/15%	1	132
151027	2DS-3-10	4400	12/3	28	2.1HP, 3Ph, 230V	30/15%	2	148
151028	3DS-3-10	6600	8/2	31-7/8	2.1HP, 3Ph, 230V	30/15%	3	187
151029K	5DS-3-10	11,000	4.8/1.2	35-7/16 2	1HP, 3Ph, 230V	30/15%	5	242

20' LIFT, 18' PUSHBUTTON CONTROL CORD, 16' POWER CABLE, SAFETY HOOKS AND CHAIN CONTAINER

STOCK NO.	MODEL	RATED CAPY (LBS.)	HOISTING SPEED (FPM)	HEAD ROOM (IN.)	MOTOR	DUTY CYCLE RATING	NO. OF FALLS	NETWEIGHT (LBS.)
151030	1/2DS-3-20	1100	28/7	18-29/32	1.2HP, 3Ph, 230V	30%	1	99
151031	1DS-3-20	2200	24.2/6	22-7/16	2.1HP, 3Ph, 230V	30/15%	1	141
151032K	2DS-3-20	4400	12/3	27-31/32	2.1HP, 3Ph, 230V	30/15%	2	163
151033K	3DS-3-20	6600	8/2	31-29/32	2.1HP, 3Ph, 230V	30/15%	3	209
151034K	5DS-3-20	11,000	4.8/1.2	35-7/16	2.1HP, 3Ph, 230V	30/15%	5	280